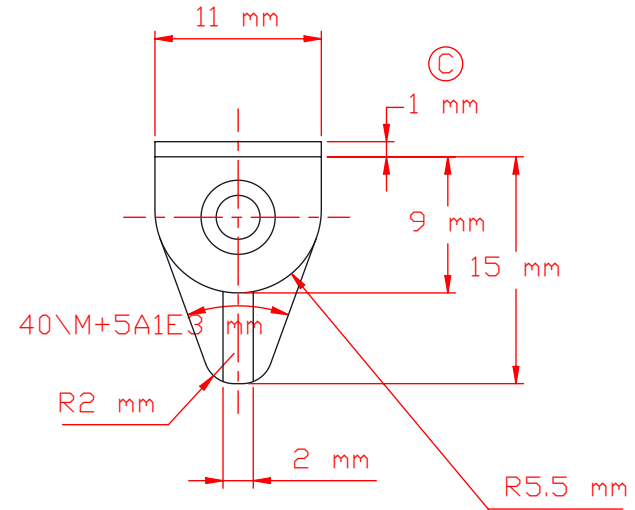


Pin Diameter  
is Critical  
4.91-4.95  
Ⓐ Ⓒ Ⓓ



Note:

1. All Dimensions in Millimeters.
2. Tolerance
  - Ⓔ ±.25mm Plastic Parts
3. Clear Parts-Must be very clear  
White Parts-Must be pure white
4. Clear Material: Crystal Polystyrene.

Ⓑ

WEIGHT: 3g

REV: E 04/29/04	DRAWN BY: John Lai	SCALE:	DATE: 7/14/00	HARDWARE RESOURCES
REV: D 05/06/03	UNLESS OTHERWISE SPECIFIED DIMENSIONS AND TOLERANCING ARE IN MILLIMETERS (INCHES)			4319 MARLENA ST, BOSSIER CITY, LA 71111
REV: C 08/14/02	TOLERANCES			MATERIAL:
REV: B 06/03/02	.X ± .1			PART NAME: w/ Steel Pin
REV: A 06/01/02	.XX ± .03			ITEM NO: 1438
	.XXX ± .005			PLATING: CL/WH